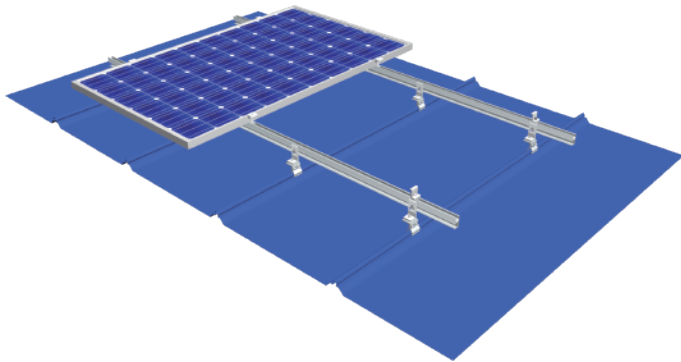
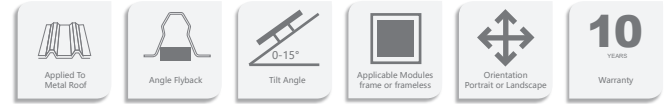


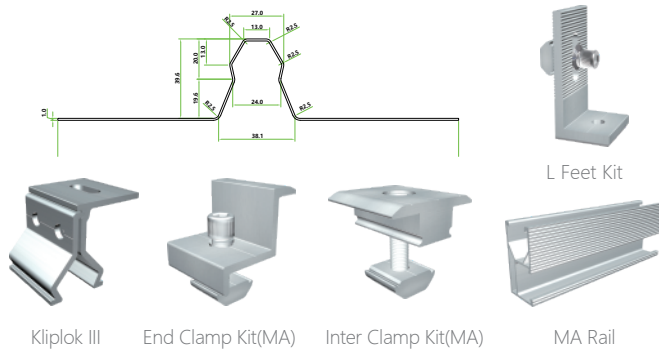
## Overview



MRac Kliplik is mainly applied to Kliplik, and its material is AL6005-T5. With its professional design, it can realize the perfect connection between roof support and roof to meet customer installation requirement. Professional solution and structure design can save your installation time and cost. Moreover, Patented and unique design can bring you a good installation experience.



## Component



## Advantage

- Applicable for different metal roofs  
According to customer requirement, choose different roof mounting system flexibly;
- Save installation time and cost  
Save the installation time and cost by offering installation manual and solution;
- Compatible to different types of solar modules  
Free and flexible to choose different types of solar modules.

## Technical Parameter

System name	MRac Kliplik	Design Standard	AS/NZS 1170, DIN 1055, JIS C8955: 2017,
Installation Site	Pitched Roof		International Building Code IBC 2009,
Foundation	Trapezoidal Metal Roof Support		California Building Code CBC 2010;
Tilt Angle	0-15°	Material	Q235B(Hot-Dip Galvanized) & AL6005-T5(Anodized)
Wind Load	60m/s	Fastener	SUS304&Zinc-Nickel Alloy Electroplated Steel
Snow Load	1.6KN/m <sup>2</sup>	Small Components	AL6005-T5(Anodized)
Applicable Module	Framed or Frameless	Color	Silver or Customized
Panel Orientation	Portrait or Landscape	Warranty	10 Years

Certified by TUV, SGS and qualified consultants in AU, JP, ASEAN, CN, UK, EU, US



## Applicable Kliplik Roof Support

